

SP-CEIL-LM630

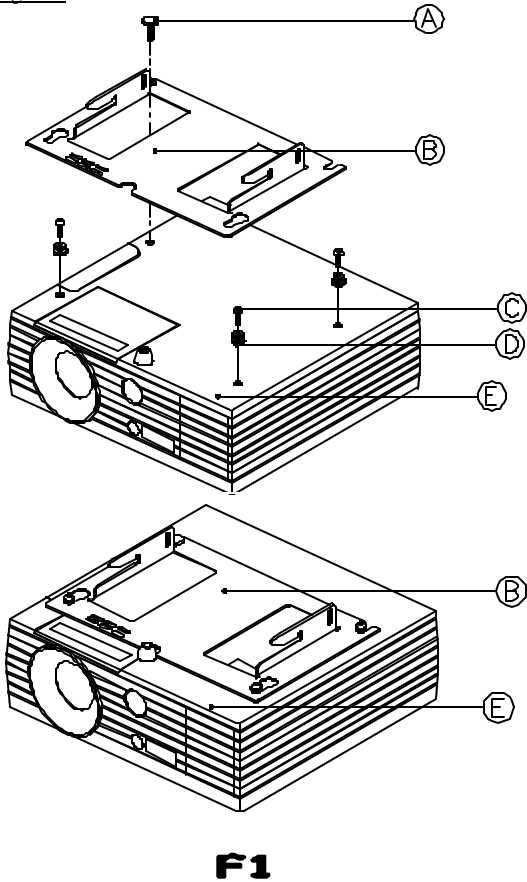
Projector Mount

INSTALLATION INSTRUCTIONS

□ Step 1

Place warning label on lamp door where indicated. Invert the projector and place it on a soft and flat surface. Locate the four (4) 4 (mm) mounting points found on the bottom of the projector. Secure the three (3) Quick release sleeves (D) with the three (3) 4 (mm) x 16 (mm) Phillip Screws (C) (supplied). Align the keyhole openings from the mounting bracket (B) to the sleeves (D) and secure the bracket with the 4 (mm) x 12 (mm) knurl knob (A) (supplied). **Do not over tighten!**

See Figure 1

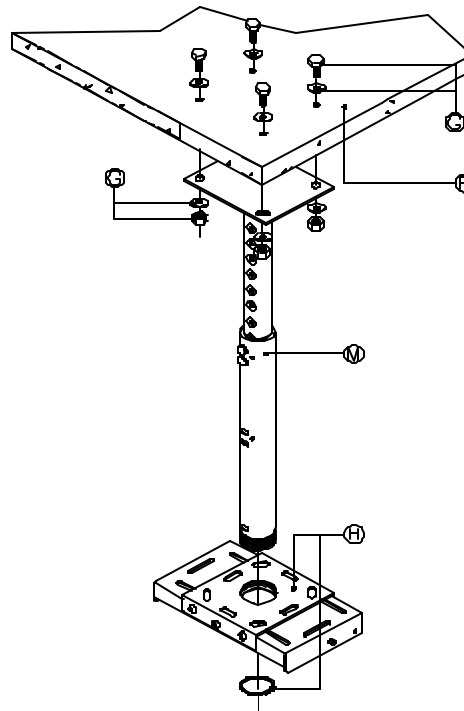


□ Step 2

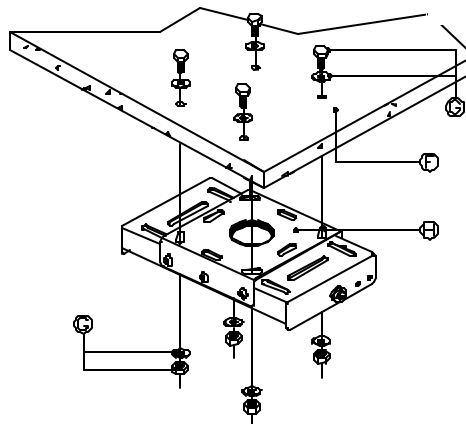
Install the base box securely to the ceiling structure in accordance with proper commercial standards. Use (commercially available) suitable hardware depending on the installation requirements.

NOTE: If the (Optional) **SP-LTMT-EXT** adjustable height suspension adapter is a part of the installation, securely install the ceiling adapter to the ceiling at this time.

(Refer to its Installation Instructions)



-SP-LTMT-EXT-



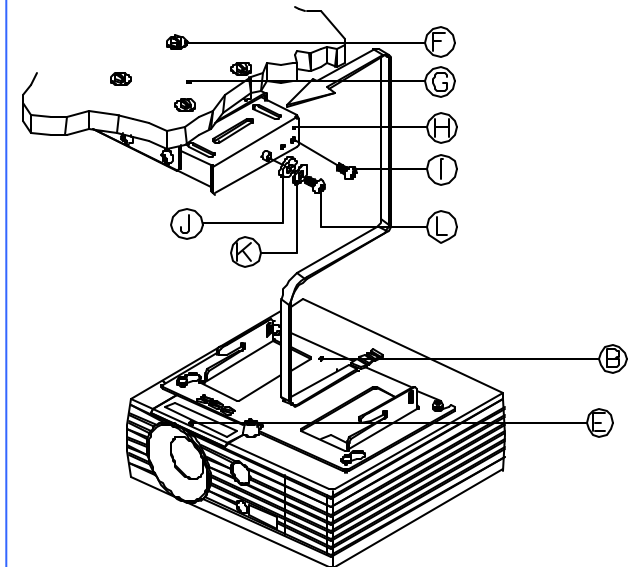
-FIXED CEILING MOUNT-



□ Step 3

Install the two (2) conical spacers (J) and two (2) flat washers (K), two (2) hinge screws (L) loosely on both sides of the base box (H). Raise the projector with the mounting bracket attached and slip it through the hinge pin slots openings on the bracket into the base box. Install the two (2) angle locking screws (I) adjust the angle, lock it, and then tighten the hinge pin screws.

See Figure 2



F2

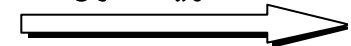
□ Step 4

Check all the hardware for proper tightness and security. Do not over tighten hardware.

PORTABLE PROJECTORS

- (1) Remove the knurl knob screw and hold the projector with two hands.
- (2) Slide it backwards to detach the sleeves from the keyholes.
- (3) Reverse the process for quick reinstall.

Continue

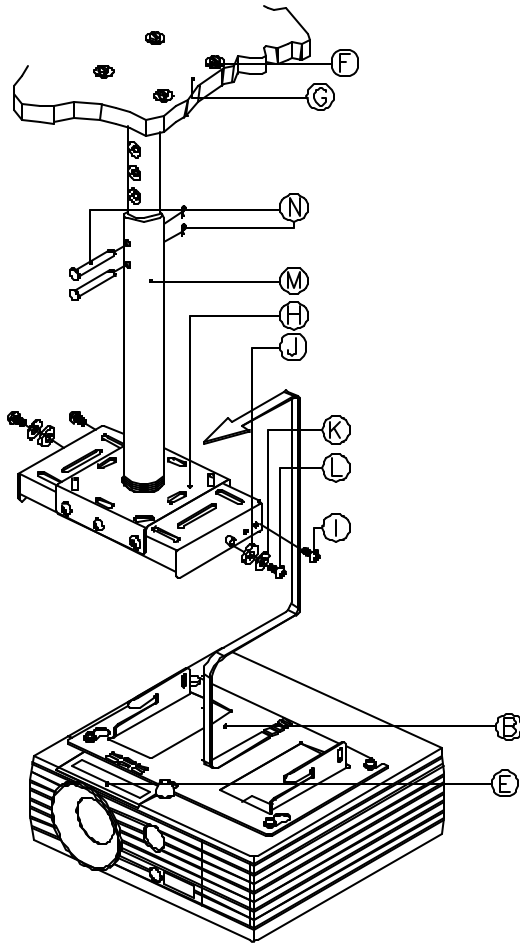


INSTALLATION INSTRUCTIONS

SP-CEIL-LM630 PROJECTOR MOUNT

□ Step 5

Raise the projector with the mounting bracket (B) and slip through the hinge pin slot openings on the bracket into the base box (H). Loosely install the two (2) hinge pin screws (L), conical spacers (J) and flat washers (K) and the angle locking screws (I). Adjust the angle and lock it. Then tighten the hinge pin screws (L). **Do not over tighten** See Figure 3



F3

Check all hardware for proper tighten and security.

WARNING!

The ceiling should be capable of supporting a weight of at least five (5) times the projector(s) or monitor(s) weight. If it cannot, the ceiling must be reinforced. Proper installation procedure by qualified personnel as outlined in the installation instructions must be adhered to. Failure to do so could result in serious personal injury.

WARNING!

To prevent eye injury wear protective eyewear before opening lamp door.

DESCRIPTION/HARDWARE

- A. 4 (mm) x 12 (mm) Knurl Knob (1ea)
- B. SP-CEIL-LM630 Mounting Bracket (1ea)
- C. 4 (mm) x 16 (mm) Phillip Screws (3ea)
- D. 4 (mm) Quick Release Sleeves (3ea)
- E. Projector (not supplied)
- F. Ceiling Structure (See Warning Label)
- G. Suitable Hardware (Commercially Available)
- H. Base Box/Jam Screw (1ea)
- I. 6 (mm) x 12 (mm) Angle Locking Screws (2ea)
- J. Conical Spacer (2ea)
- K. Flat Washers (2ea)
- L. 6 (mm) x 12 (mm) Hinge Pin Screws (2ea)
- M.SP-LTMT-EXT Adjustable Suspension Adapter (Optional)
- N. Suspension Adapter Adjustable Pins (2ea)

For further information or ordering assistance contact us at the phone/address number shown on the front of this page.



27700B S.W. Parkway Ave.
Wilsonville, Oregon 97070-9215
Phone 1-800-294-6400 Fax

www.infocus.com