
INTRODUCTION

The InFocus® LP630™ multimedia projector is specifically designed for multipurpose use. It generates crisp, clear images using Liquid Crystal Display (LCD) technology, and features an M1-DA connector for easy, built-in digital/analog and USB connectivity. It is easy to connect, easy to use, easy to transport, and easy to maintain. The LP630 has native XGA 1024x768 resolution.

Image Resolution

The XGA resolution of the LP630 projected image is 1024x768. The projector can compress screen resolutions up to 1280x1024.

Compatibility

The projector is compatible with a wide variety of computers, including:

- IBM-compatible computers, including laptop's, up to 1280x1024 resolution.
- Apple® Macintosh® and PowerBook® computers up to 1280x1024.
- Most standard VCR's, DVD players, HDTV sources, camcorders and laser disc players.

Unpacking the Projector

The projector comes with the items shown in Figure 1. Check to make sure all are included. **Contact your InFocus dealer immediately if anything is missing.**

If you are experienced in setting up presentation systems, use the *Quick Start* card that was included in the shipping box. For complete details on connecting and operating the projector, refer to the User's Guide. User's Guides are also available for download from our website at www.infocus.com.

A registration card is included in the box. Register to receive product updates, announcements, and special offers from InFocus. Or, register online at www.infocus.com/service/register and you will be automatically entered to win free merchandise.



NOTE: *The LP630 automatically expands 640x680 and 800x600 images to 1024x768. You can display these images at their native resolutions by turning off the Resize feature. See "Resize" on page 29 for more information.*



NOTE: *If you ceiling mount this projector, please attach the warning label that was included in the document package to the lamp door.*

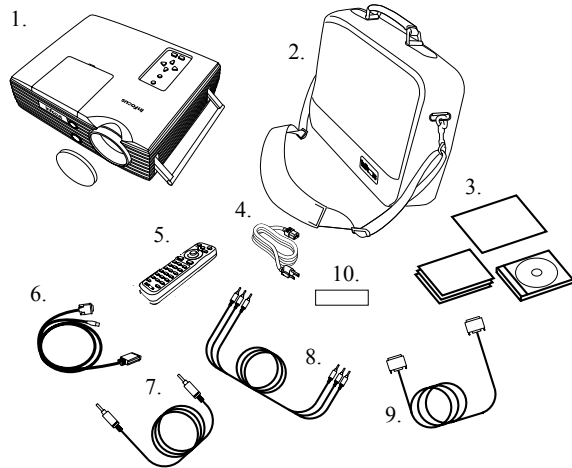


FIGURE 1

Shipping box contents

- | | |
|--|--|
| 1. Projector and lens cap | 6. M1-DA Analog Computer Cable |
| 2. Soft carry case | 7. Audio Cable |
| 3. User's Guide, quick start card, and User Guide CD | 8. Audio/Video Cable |
| 4. Power cord | 9. VESA Computer Cable |
| 5. Remote control | 10. Ceiling mount "Caution" label. See "Ceiling Mount" |

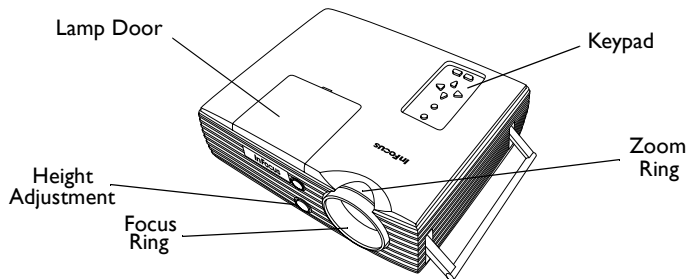


FIGURE 2

Side view of projector

Usage Guidelines

- Do not look directly into the projection lens when the lamp is turned on. The bright light may harm your eyes.
- Do not block the grills on the projector. Restricting the air-flow can cause it to overheat and turn off. If this happens you must wait a minute before attempting to turn the projector back on.
- Handle the projector as you would any product with glass components. Be especially careful not to drop it.
- Avoid leaving the projector in direct sunlight or extreme cold for extended periods of time. If this happens, allow the projector to reach room temperature before use.
- Transport the projector in a vendor-approved hard or soft case. Part numbers for these cases are listed on page 48.

If You Need Assistance

The first place to look for help is in this manual. Be sure to check the guidelines in “Troubleshooting” on page 41. Or, check the Service and Support section of our website at:

<http://www.infocus.com/service>

You’ll find a Technical Library, FAQ’s and support contacts including a technical support e-mail form.

If those sources don’t answer your questions, call your InFocus dealer. You can call InFocus Customer Service directly at **1-800-799-9911**. Call between 6 a.m. and 6 p.m. PST, Monday through Friday. Service is available in North America after hours and on weekends for a fee at 1-888-592-6800.

In Europe, call InFocus in The Netherlands at **(31) 35-647-4010**.

In Asia, call InFocus in Singapore at **(65) 353-9449**.

Or, send us an e-mail at techsupport@infocus.com

Our World Wide Web address is <http://www.infocus.com>

Warranty

This product is backed by a limited two-year warranty. The details of the warranty are printed at the back of this manual. A long term warranty can be purchased from your InFocus dealer. Refer to “Optional Accessories” on page 47 for that part number.